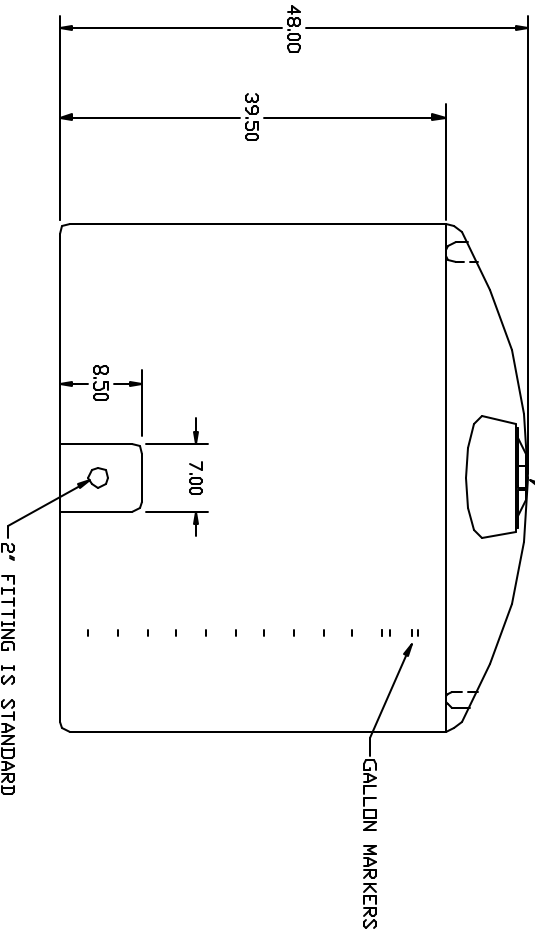
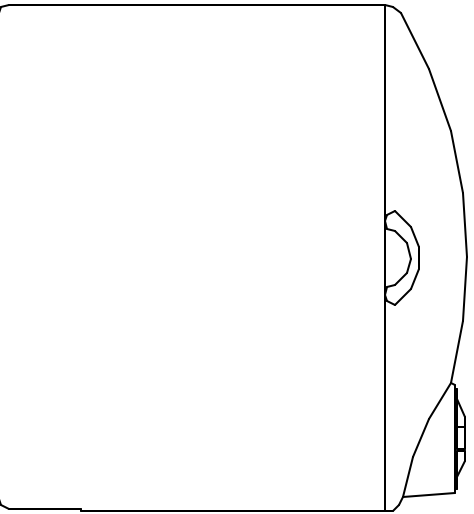
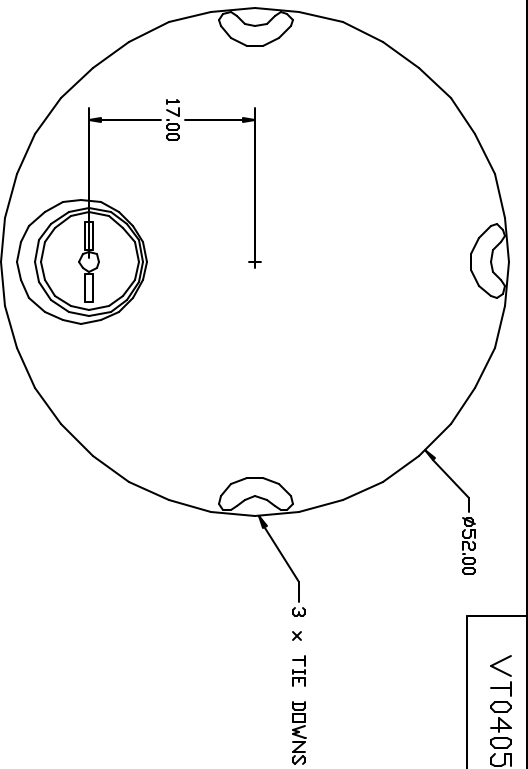


PROPRIETARY DATA

PROPERTY OF ACE ROTO-MOLD MFG, INC. INFORMATION FURNISHED HEREIN IS THE PROPERTY OF ACE ROTO-MOLD MFG, INC. AND SHALL NOT BE USED, DISCLOSED TO OTHERS, OR COPIED WITHOUT THE EXPRESSED WRITTEN CONSENT OF ACE ROTO-MOLD MFG, INC. ALL RIGHTS RESERVED.

VT0405-52



DRAWN / DATE  
REH 1/17/07

APPRD. / DATE

THIRD ANGLE PROJECTION  
ANSI 14.5M

MATERIAL / SHOT WEIGHT  
POLYETHYLENE  
90 LBS.

NOTES:  
.235 NOM. WALL

CLIENT / DESCRIPTION

405 GALLON VERTICAL TANK

**Ace Roto-Mold**  
A DIVISION OF DEN HARTOG INDUSTRIES, INC.

REV	DESCRIPTION	DATE APPRD.
	ALL DIMENSIONS ARE IN DECIMAL INCHES TOLERANCES UNLESS OTHERWISE SPECIFIED $\pm 1\%$ @ $68^\circ F$	

SCALE  
NONE

PART NO.  
VT0405-52