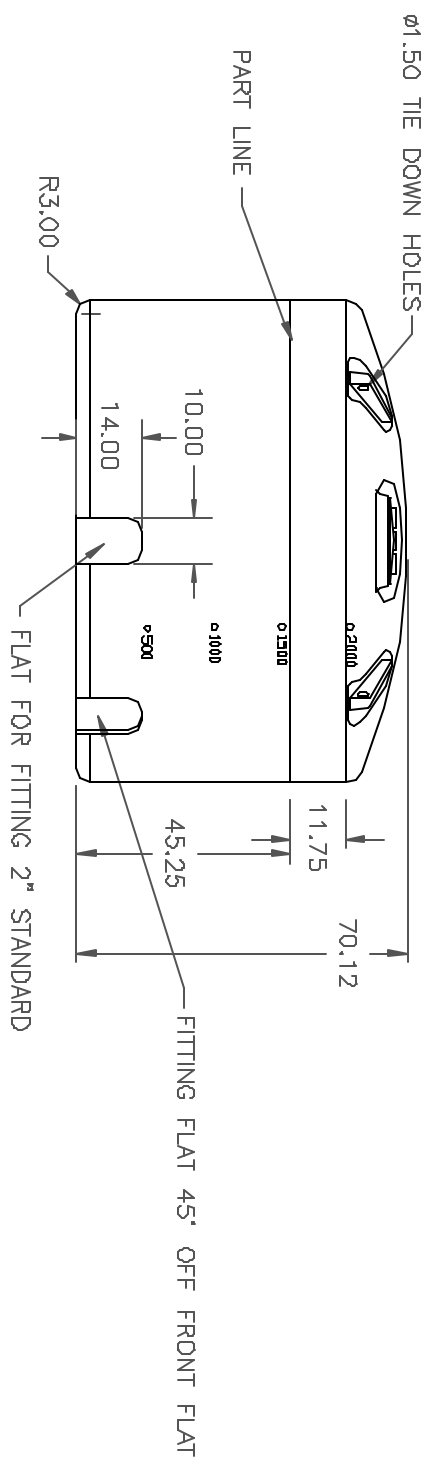
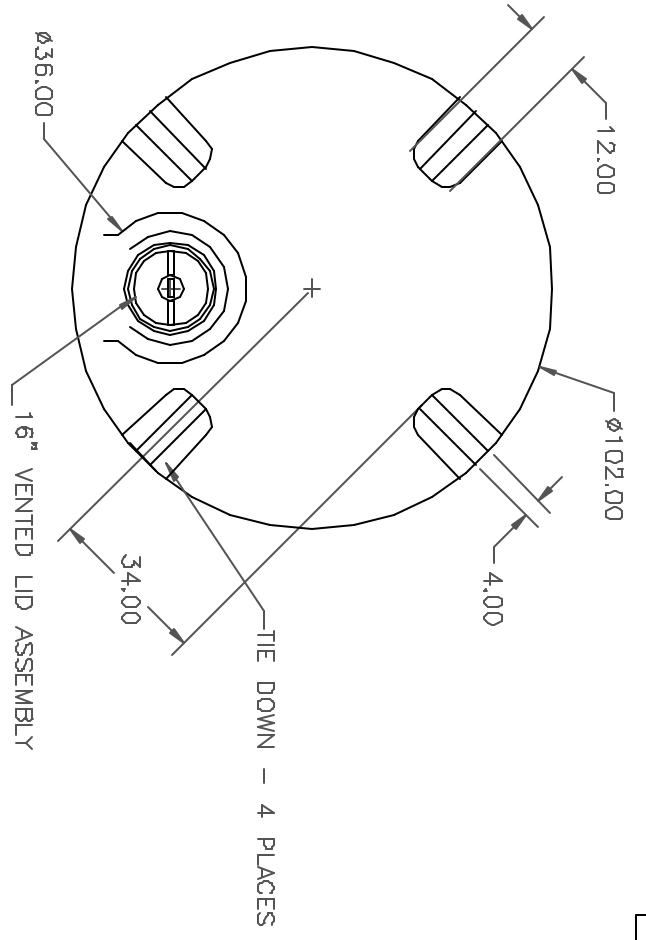


PROPRIETARY DATA

PROPERTY OF ACE ROTOMOLD MFG. INC. INFORMATION FURNISHED HEREIN IS THE PROPERTY OF ACE ROTOMOLD MFG. INC. AND SHALL NOT BE USED, DISCLOSED TO OTHERS, OR COPIED WITHOUT THE EXPRESSED WRITTEN CONSENT OF ACE ROTOMOLD MFG. INC. ALL RIGHTS RESERVED.

VT215J-102

A



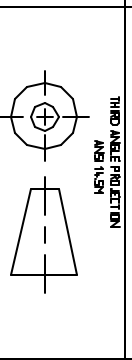
REV	DESCRIPTION	DATE	APPROD
A	FINALIZE PART	9/8/05	

DRAWN / DATE	DHJ 6/14/15
APPROD. / DATE	

MATERIAL	
NOTES:	<ul style="list-style-type: none"> 1. NOM WALL @ .315 2. SHOT WEIGHT 4.15 LBS. 3. WHITE DR YELLOW COLOR

CLIENT / DESCRIPTION	<p>Ace Roto-Mold A DIVISION OF DECA HARTCO INDUSTRIAL INC. 4018 HWY. 60 BLVD., BOX 421, HOSPER, IOWA 5238</p>
SCALE	N.S.
PART NO.	VT2150-102

ALL DIMENSIONS ARE IN DECIMAL INCHES
 TOLERANCES UNLESS OTHERWISE SPECIFIED
 ± 1% @ 68° F



HOPE OR EQUIVALENT
 REFERENCE MATERIAL DATA SHEET
 FOR SPECIFIC PROPERTIES.

2151 GALLON VERTICAL TANK