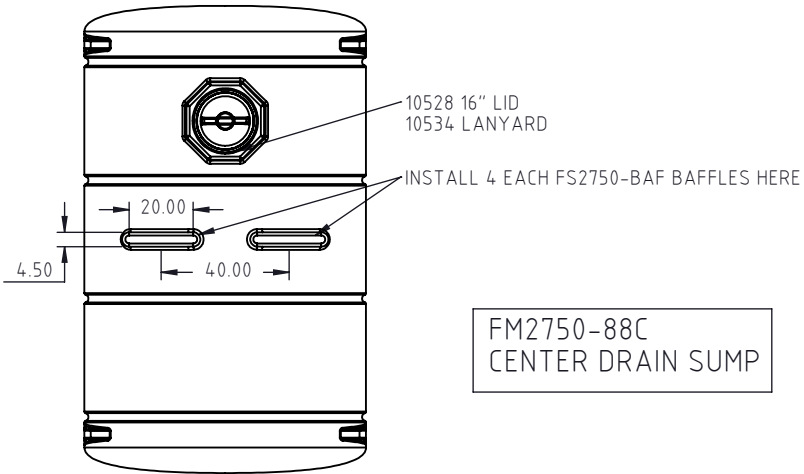
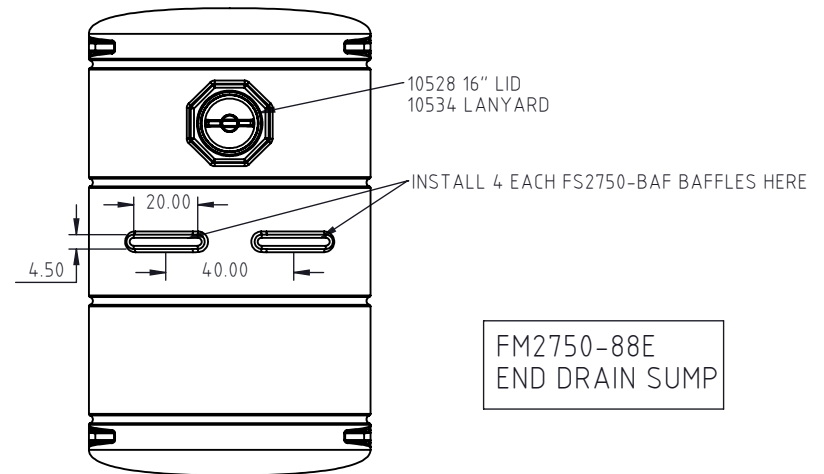


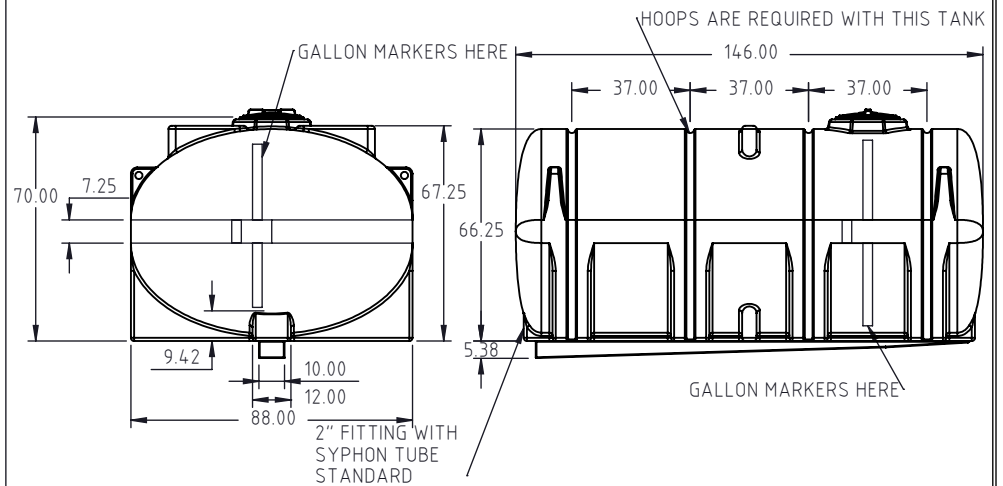
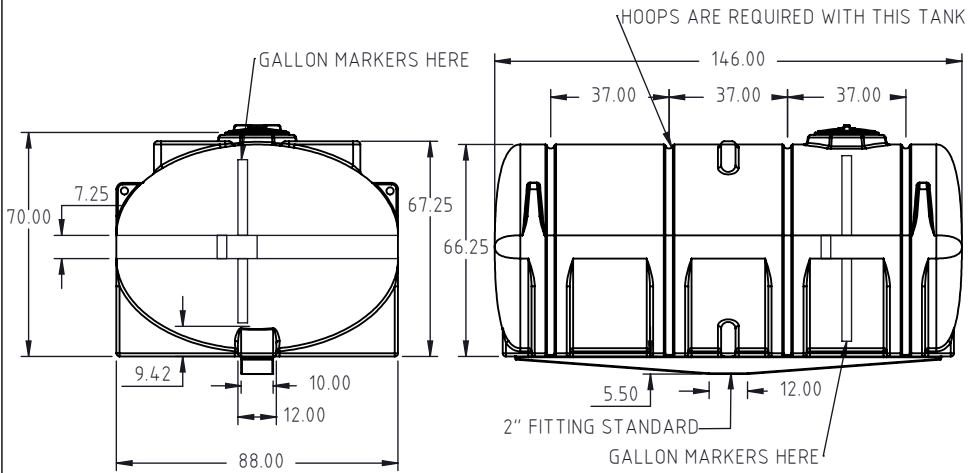
Copyright. All information furnished within this document, electronic file or design correspondence is the property of Den Hartog industries, Inc. and shall not be used, disclosed to others or copied without the expressed written consent of Den Hartog Industries, Inc.



FM2750-88C  
CENTER DRAIN SUMP



FM2750-88E  
END DRAIN SUMP



DRAWN / DATE ADH 4/19/10		MATERIAL 10538 NATURAL	
APPROD. / DATE REH 4/19/10		NOTES: 1.) 0.500 NOMINAL WALL 2.) BLUE, BLACK, WHITE OR YELLOW COLOR	
REV	DESCRIPTION	BY / DATE	CCN
ALL DIMENSIONS ARE IN DECIMAL INCHES TOLERANCES UNLESS OTHERWISE SPECIFIED		THIRD ANGLE PROJECTION ANSI 14.5M	
POLYETHYLENE ±1% @ 68°F		METAL DECIMAL ± .125" FRACTION ± 1/4" ANGLE ± 1°	
SHOT WEIGHT: 1060 LBS.		SHIPPING WEIGHT: 1150 LBS.	
FINISH:			



**Den Hartog**  
INDUSTRIES, INC.

Ace Roto-Mold Injection Molding Blow Molding Sowjoy

4010 HOSPERS DRIVE S. BOX 425, HOSPERS, IOWA 51238-0425

DESCRIPTION 2750 GALLON ELLIPTICAL LEG TANK WITH SUMP	
SCALE N.S.	PART NO. FM2750-88