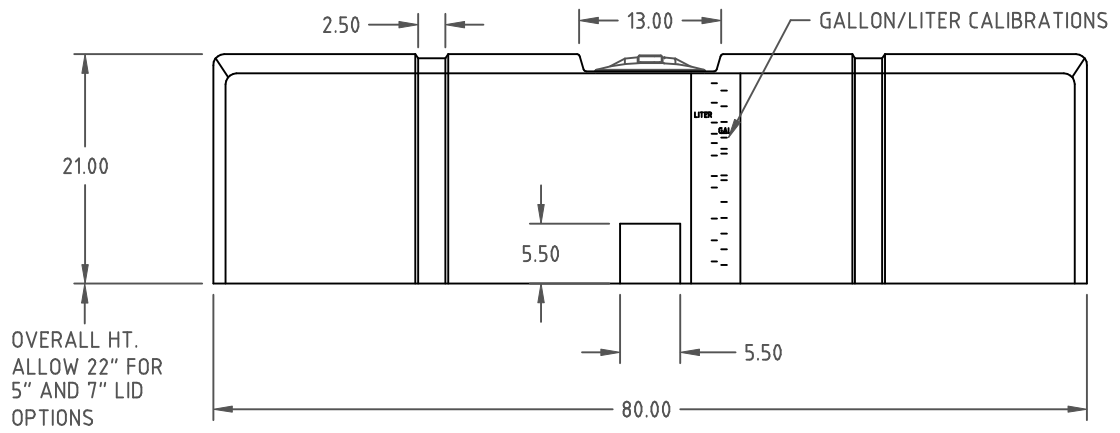
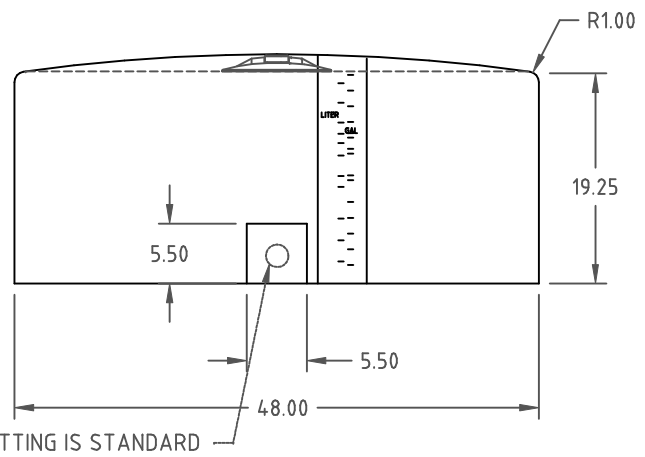
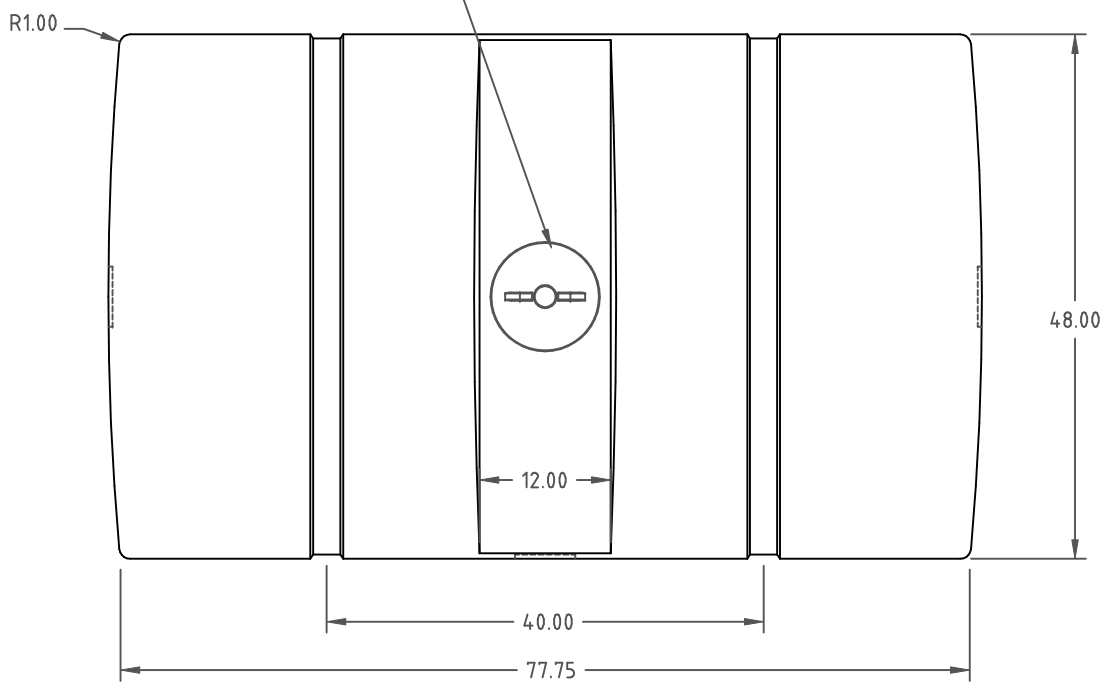


Copyright. All information furnished within this document, electronic file or design correspondence is the property of Den Hartog Industries, Inc. and shall not be used, disclosed to others or copied without the expressed written consent of Den Hartog Industries, Inc.

10525 8" VENTED LID IS STANDARD  
5" OR 7" LID OPTIONS AVAILABLE



OVERALL HT. ALLOW 22" FOR 5" AND 7" LID OPTIONS

DRAWN / DATE DHJ 6/12/06		MATERIAL HDPE OR EQUIVALENT REFERENCE MATERIAL DATA SHEET FOR SPECIFIC PROPERTIES.	
APPRD. / DATE REH 10/11/10		NOTES: 1. NOM. WALL @ .310 2. NATURAL OR YELLOW COLOR	
REV	DESCRIPTION	BY / DATE	CCN
ALL DIMENSIONS ARE IN DECIMAL INCHES TOLERANCES UNLESS OTHERWISE SPECIFIED		THIRD ANGLE PROJECTION ANSI 14.5M	
POLYETHYLENE ±1% @ 68° F		METAL DECIMAL ± .125" FRACTION ± 1/4" ANGLE ± 1°	
SHOT WEIGHT: 133 LB.		SHIPPING WEIGHT: 135 LB.	
FINISH:			



**Den Hartog**  
INDUSTRIES, INC.

Ace Roto-Mold Injection Molding Blow Molding Sowjoy  
4010 HOSPERS DRIVE S. BOX 425, HOSPERS, IOWA 51238-0421

DESCRIPTION 300 GAL. LOW PROFILE RECTANGULAR TANK	
SCALE N.S.	PART NO. LP0300-RT