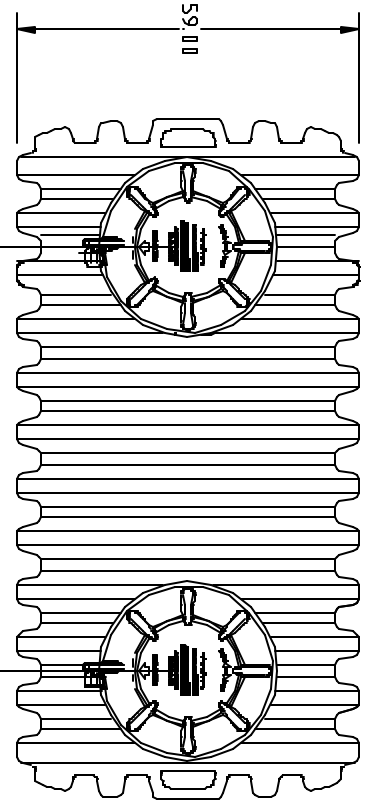


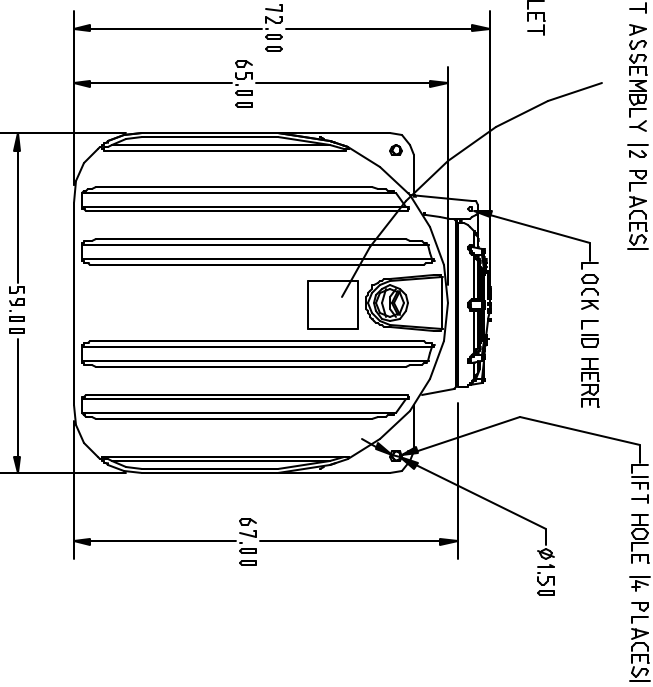
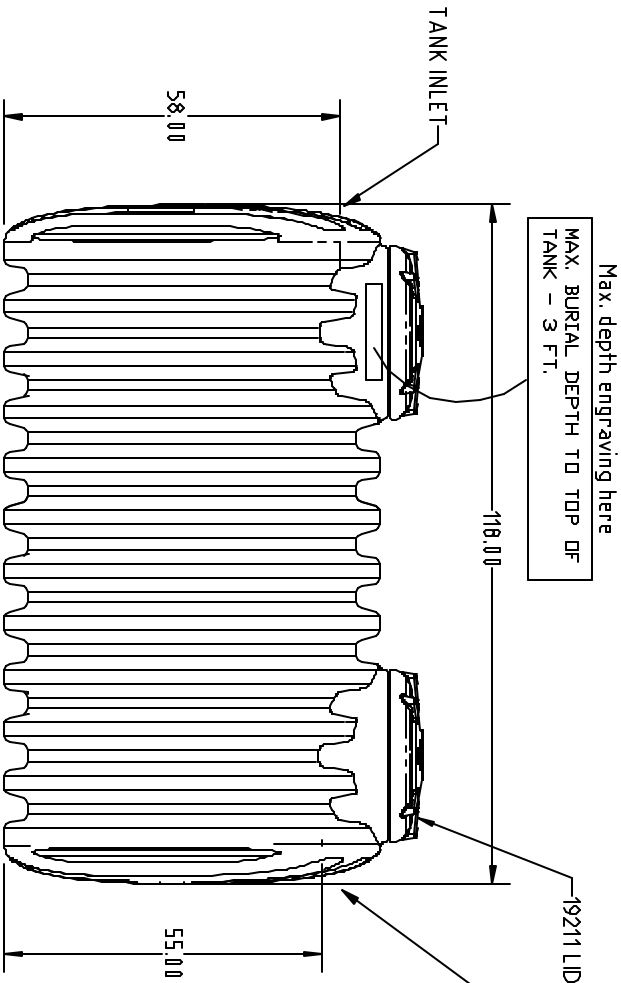
A

REFERENCE PUBLICATION 11139 FOR SEPTIC TANKS OR PUBLICATION 11149 FOR CISTERN TANKS FOR SPECIFIC INSTALLATION GUIDELINES.



Typical Engraving  
 Ace Roto Mold  
 A Division of  
 Den Hartog Industries, Inc.

- 1250 Gallons
- Month / Year molded
- Month / Year assembled
- Sequential serial number
- State assembled for (if applicable)

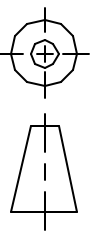


DRAWN / DATE		REV / DATE	
		REH / 3/15/14	
APPROD. / DATE		APPROD. / DATE	
		REH / 3/15/14	
REV	DESCRIPTION	DATE	APPROD.
A	ADDED PUBLICATION REF	9/31/15	WE

MATERIAL

EXXON HOBAS HDPE OR EQUIVALENT  
 REFERENCE MATERIAL DATA SHEET  
 FOR SPECIFIC PROPERTIES.

THIRD ANGLE PROJECTION  
 AND 1/8" S



- NOTES:
1. MIN. WALL @ .251
  2. YELLOW COLOR
  3. SHOT WEIGHT 412 LBS.



CLIENT / DESCRIPTION  
 1250 GAL. SINGLE  
 COMPARTMENT SEPTIC TANK

SCALE N.S.  
 PART NO. AST-1250-1

ALL DIMENSIONS ARE IN DECIMAL INCHES  
 TOLERANCES UNLESS OTHERWISE SPECIFIED  
 ± 1% @ 68° F