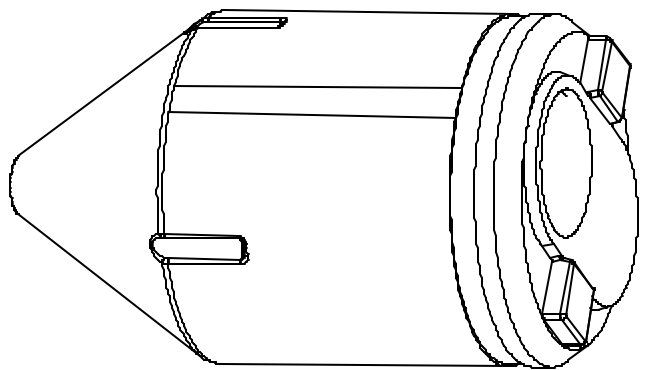
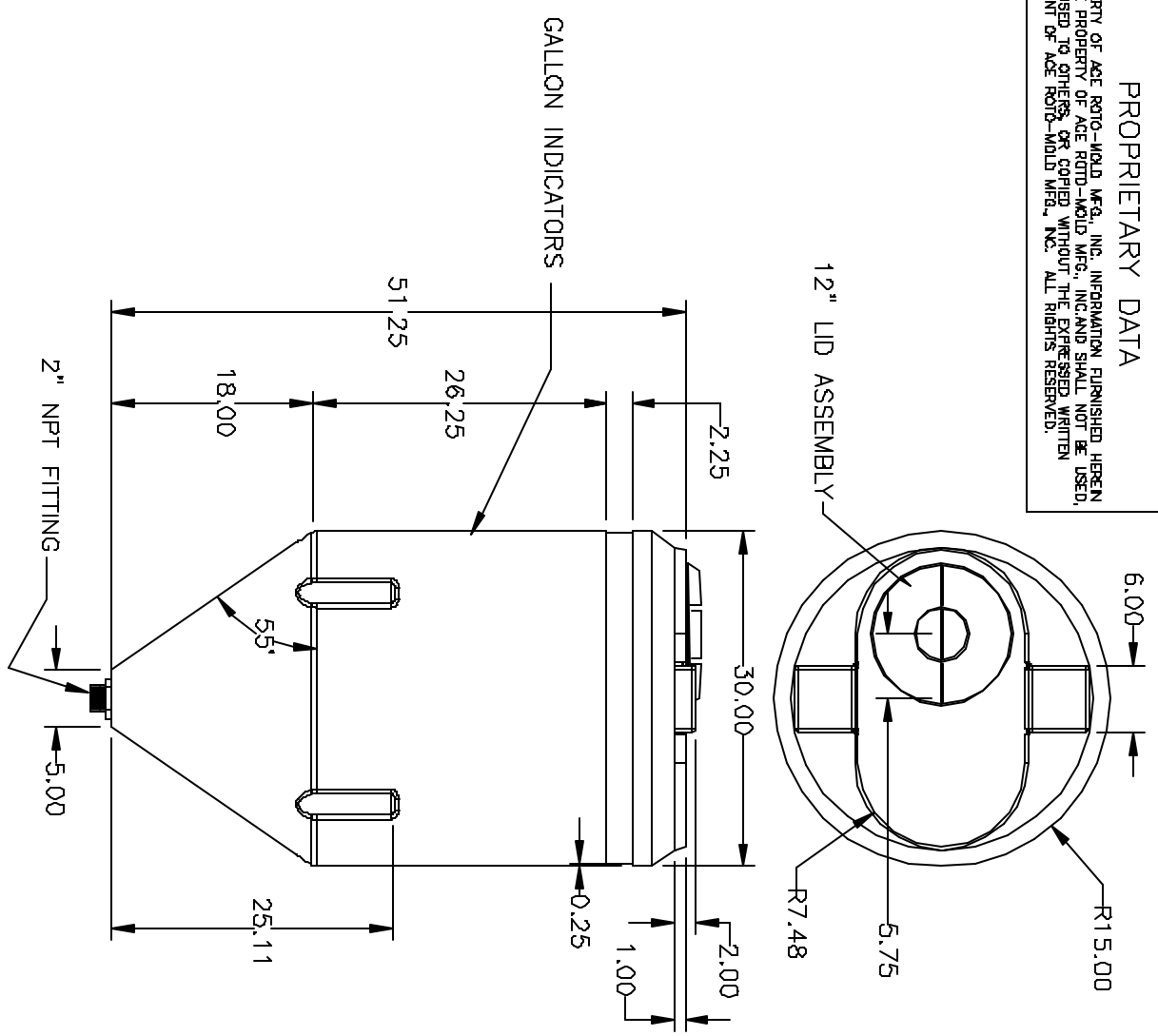


PROPRIETARY DATA

PROPERTY OF ACE ROTO-MOLD MFG., INC. INFORMATION FURNISHED HEREIN IS THE PROPERTY OF ACE ROTO-MOLD MFG., INC. AND SHALL NOT BE USED, DISCLOSED TO OTHERS, OR COPIED WITHOUT THE EXPRESS WRITTEN CONSENT OF ACE ROTO-MOLD MFG., INC. ALL RIGHTS RESERVED.

IN0110-30



REV	DESCRIPTION	DATE	APPRD	DRAWN / DATE	REH / DATE	MATERIAL
					6/14/98	42 LB. MOBIL 134
					6/14/98	

THIRD ANGLE PROJECTION

NOTES:
1. NATURAL COLOR
2. NOM. WALL .200

CLIENT / DESCRIPTION: 110 GAL. INDUCTOR TANK

ACE ROTO-MOLD
A DIVISION OF DEN HARTOG INDUSTRIES, INC.
4018 HWY. 80 BLVD., BOX 421, HOOPER, IOWA 51238

ALL DIMENSIONS ARE IN DECIMAL INCHES
TOLERANCES UNLESS OTHERWISE SPECIFIED
+ .5% @ 68° F

SCALE: N.S. PART NO. IN0110-30