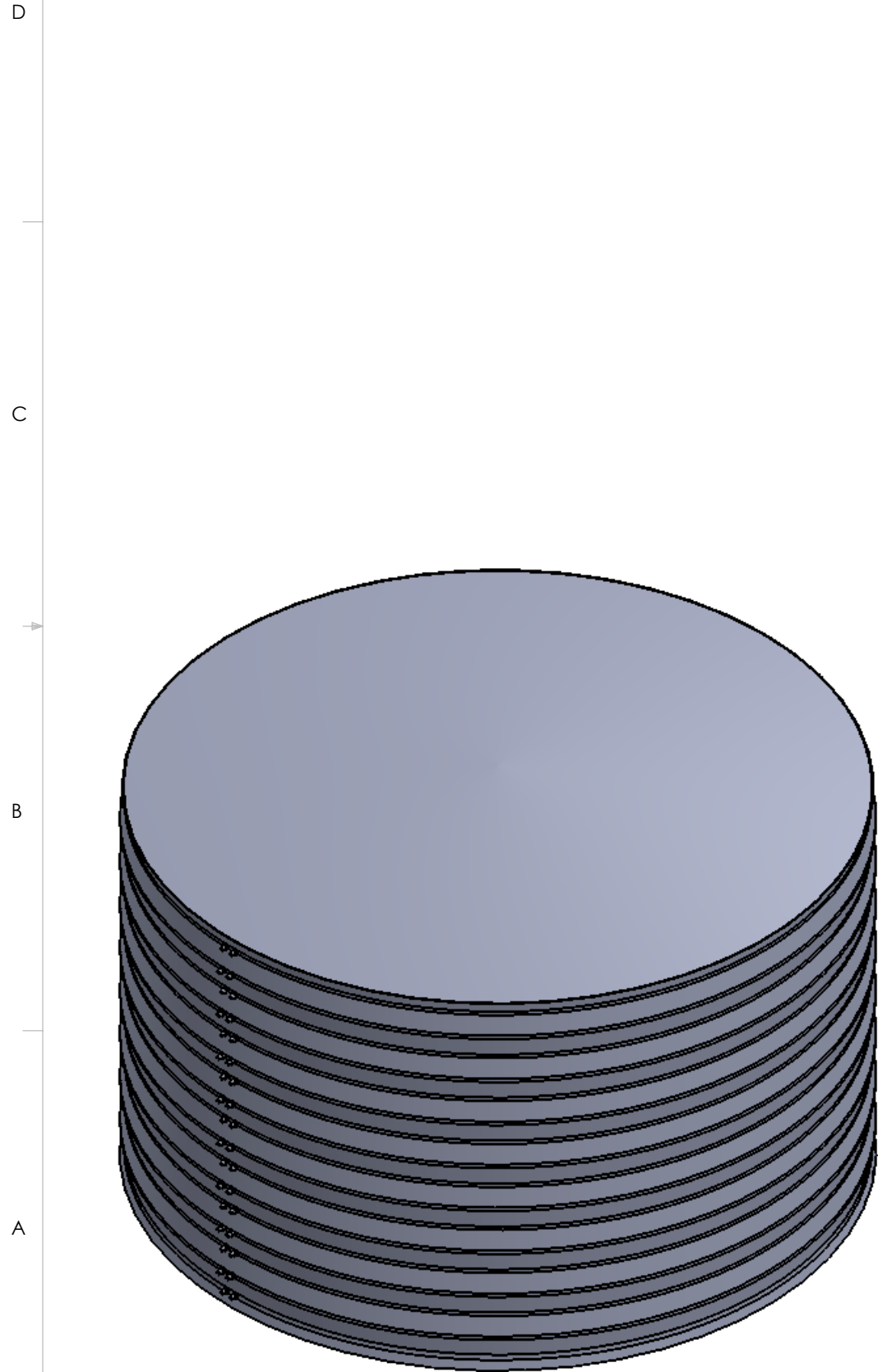
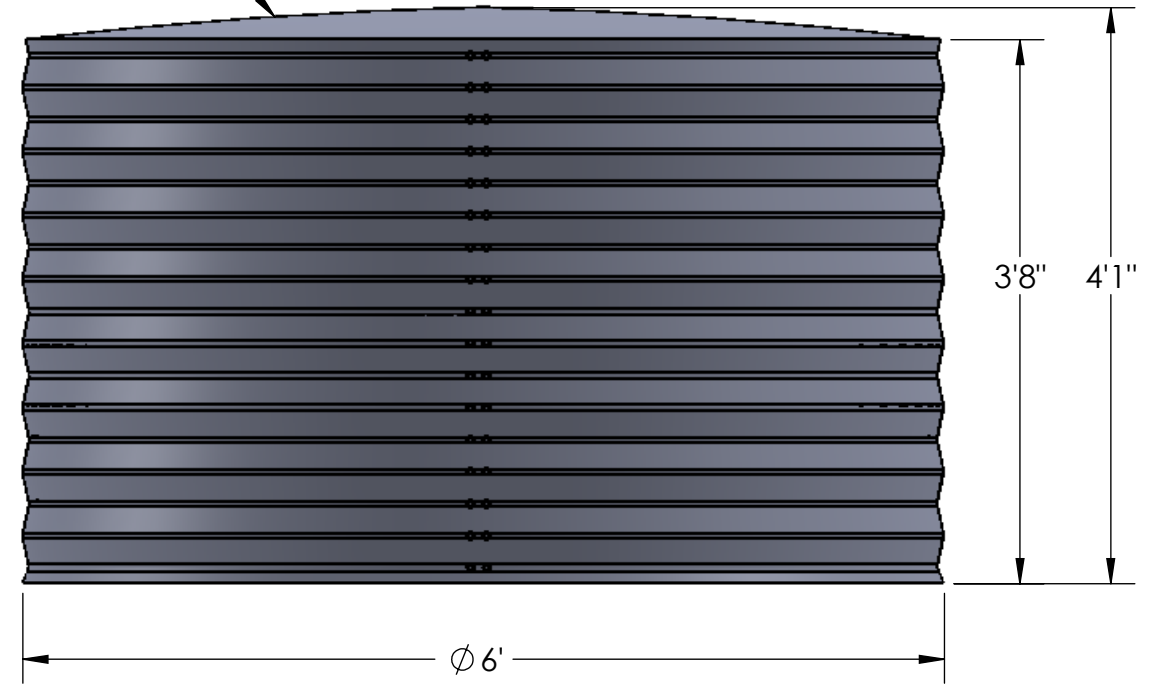



NOTES:  
 1. NOMINAL CAPACITY: 767 U.S. GALLONS



DOME ROOF CONFIGURATION



UNLESS OTHERWISE SPECIFIED:		NAME	DATE	 <b>TITLE:</b> GENERAL ARRANGEMENT CGS 6' 1 TIER	
DIMENSIONS ARE IN INCHES		DRAWN	AP		9.24.18
TOLERANCES:		CHECKED			
FRACTIONAL ± 1/16"		ENG APPR.			
ANGULAR: MACH ± .5° BEND ± .5°		MFG APPR.			
TWO PLACE DECIMAL ± .02"		Q.A.			
THREE PLACE DECIMAL ± .005"		COMMENTS:			
PROPRIETARY AND CONFIDENTIAL THE INFORMATION CONTAINED IN THIS DRAWING IS THE SOLE PROPERTY OF CONTAIN WATER SYSTEMS. ANY REPRODUCTION IN PART OR AS A WHOLE WITHOUT THE WRITTEN PERMISSION OF CONTAIN WATER SYSTEMS IS PROHIBITED.		INTERPRET GEOMETRIC TOLERANCING PER: ASME Y14.5 MATERIAL MIXED FINISH N/A DO NOT SCALE DRAWING		SALES DRAWING-TANK GENERAL ARRANGEMENT	
SIZE	DWG. NO.	REV			
<b>B</b>	<b>CGS-601-D</b>	<b>1</b>			
SCALE: 1:15 WEIGHT: 225 LBS SHEET 1 OF 1					