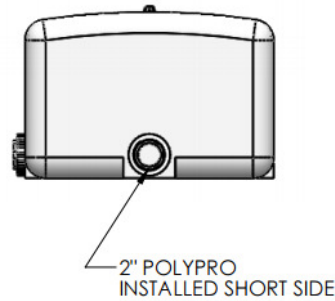
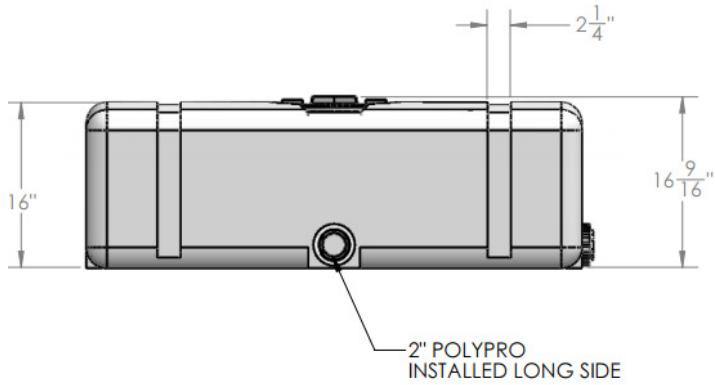
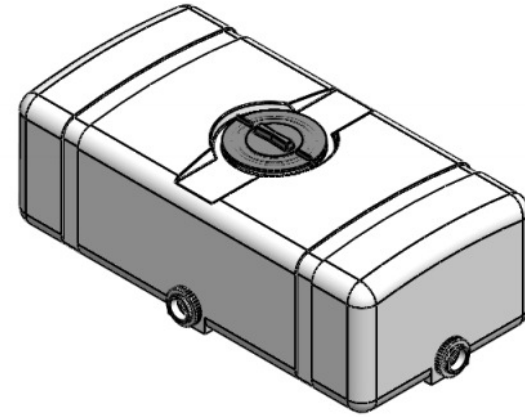
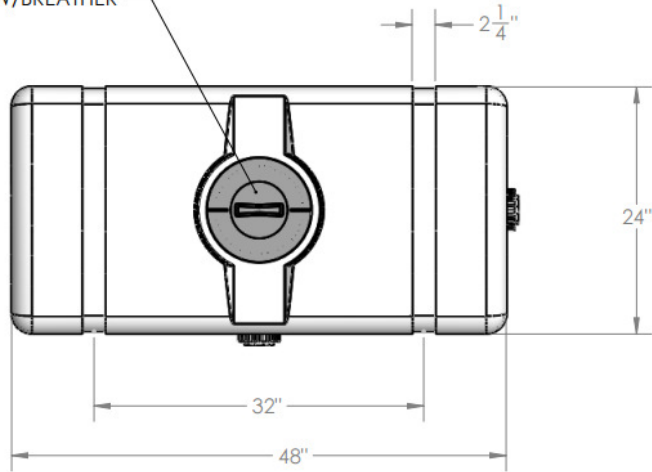


8" THREADED LID
W/BREATHER



NOTES:

1. MATERIAL: HDPE
2. WEIGHT: 36 LBS.
3. CAPACITY: 70 GALLONS
4. SPECIFY SHORT OR LONG SIDE FOR FITTING PLACEMENT

PROPRIETARY AND CONFIDENTIAL
THE INFORMATION CONTAINED IN THIS DRAWING IS THE SOLE PROPERTY OF <INSERT COMPANY NAME HERE>. ANY REPRODUCTION IN PART OR AS A WHOLE WITHOUT THE WRITTEN PERMISSION OF <INSERT COMPANY NAME HERE> IS PROHIBITED.

		UNLESS OTHERWISE SPECIFIED:		NAME	DATE
		DIMENSIONS ARE IN INCHES		DRAWN	EBW 1-29-14
		TOLERANCES:		CHECKED	
		FRACTIONAL: ±		ENG APPR.	
		ANGULAR: MACH: ± BEND ±		MFG APPR.	
		TWO PLACE DECIMAL ±		Q.A.	
		THREE PLACE DECIMAL ±		COMMENTS:	
		INTERPRET GEOMETRIC TOLERANCING PER:		TITLE:	
		MATERIAL:		70 GALLON LOW PROFILE RECTANGULAR TANK	
		FINISH		SIZE DWG. NO. REV	
NEXT ASSY	USED ON	APPLICATION		B 70 LPRT	
		DO NOT SCALE DRAWING		SCALE: 1:8 WEIGHT: SHEET 1 OF 1	