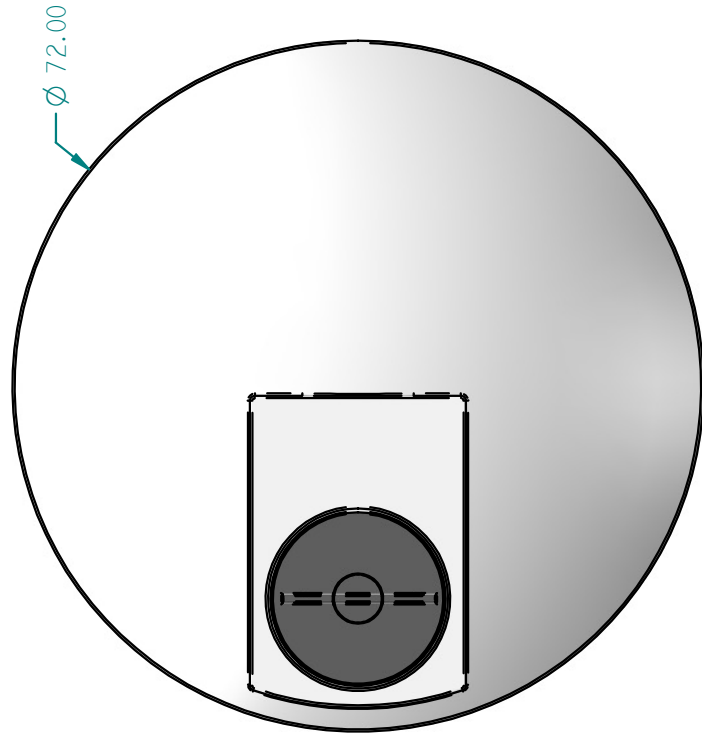
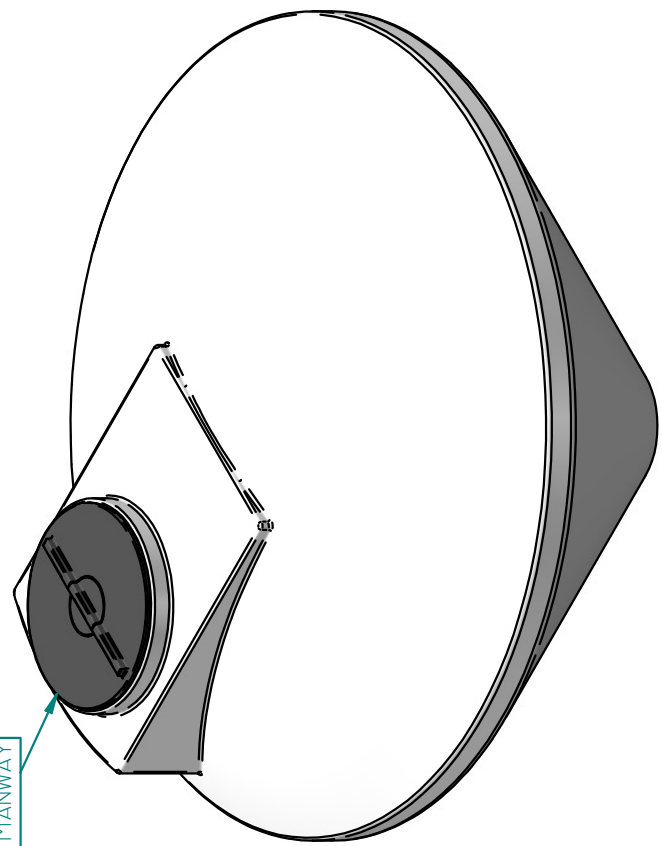


REVISION HISTORY

REV	DESCRIPTION	DATE	APPROVED

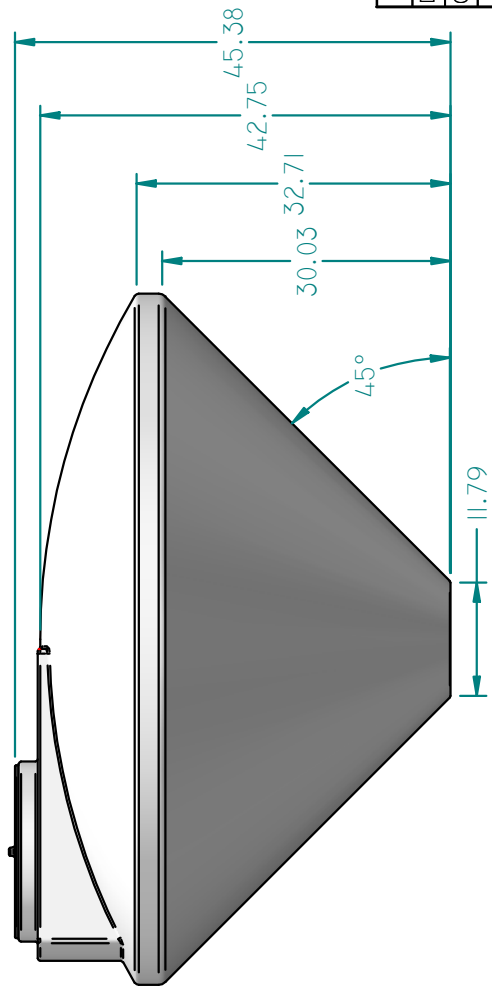


16" MANWAY



ISO VIEW

TOP VIEW



SIDE VIEW

WALL THICKNESS: .270"



16160 Hwy 27 Lake Wales, FL 33859

TITLE: 350 GALLON CONE BOTTOM

SIZE	MATERIAL	REV
A	HDPE NATURAL 1.9 SPG	

FILE NAME: C350 TANK.DFT

PART #: 930350SD WEIGHT: 100.668 LBS SHEET 1 OF 1

TANK CAPACITY: 350 GALLONS

NAME	DATE
DRAWN MPUTT	11/2/2004
CHECKED	
ENG APPR	
MGR APPR	

UNLESS OTHERWISE SPECIFIED
DIMENSIONS ARE IN INCHES
ANGLES ±0.5°
2 PL ±0.125" 3 PL ±0.060"