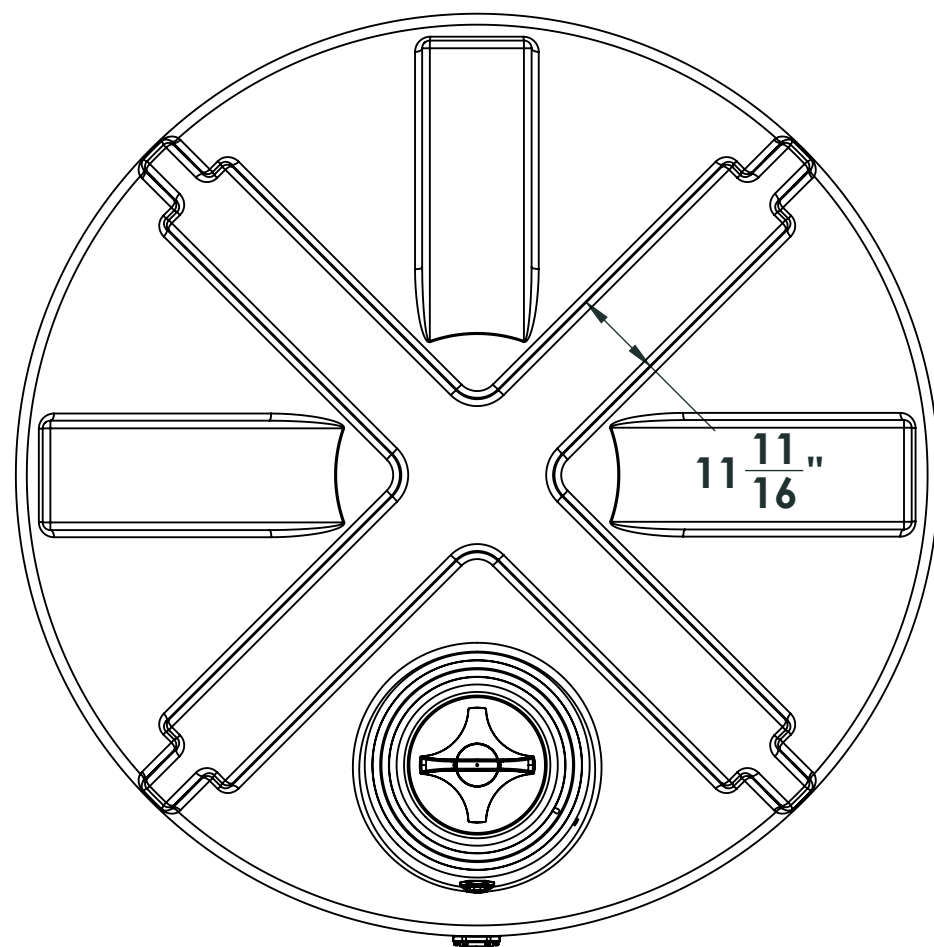


4

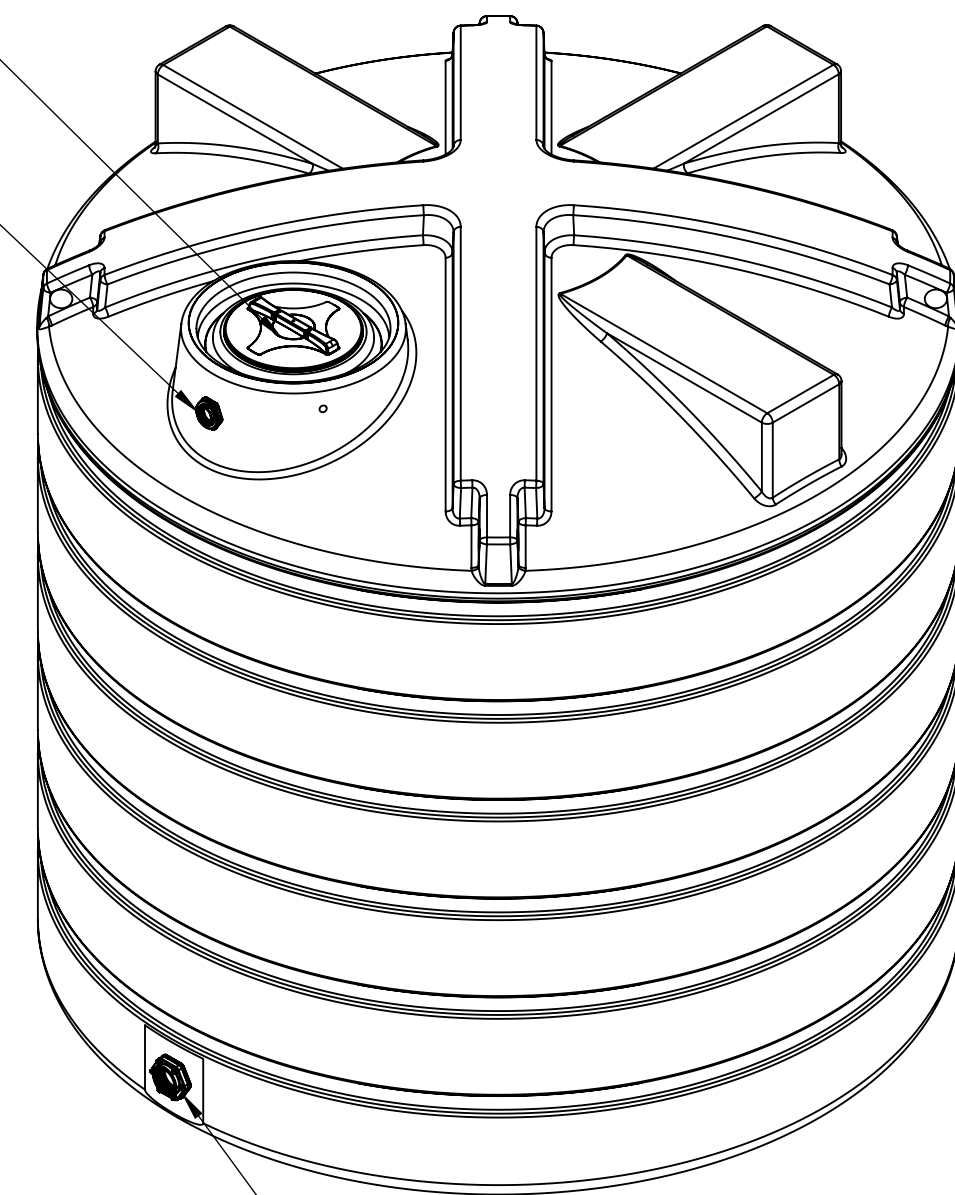
3

2

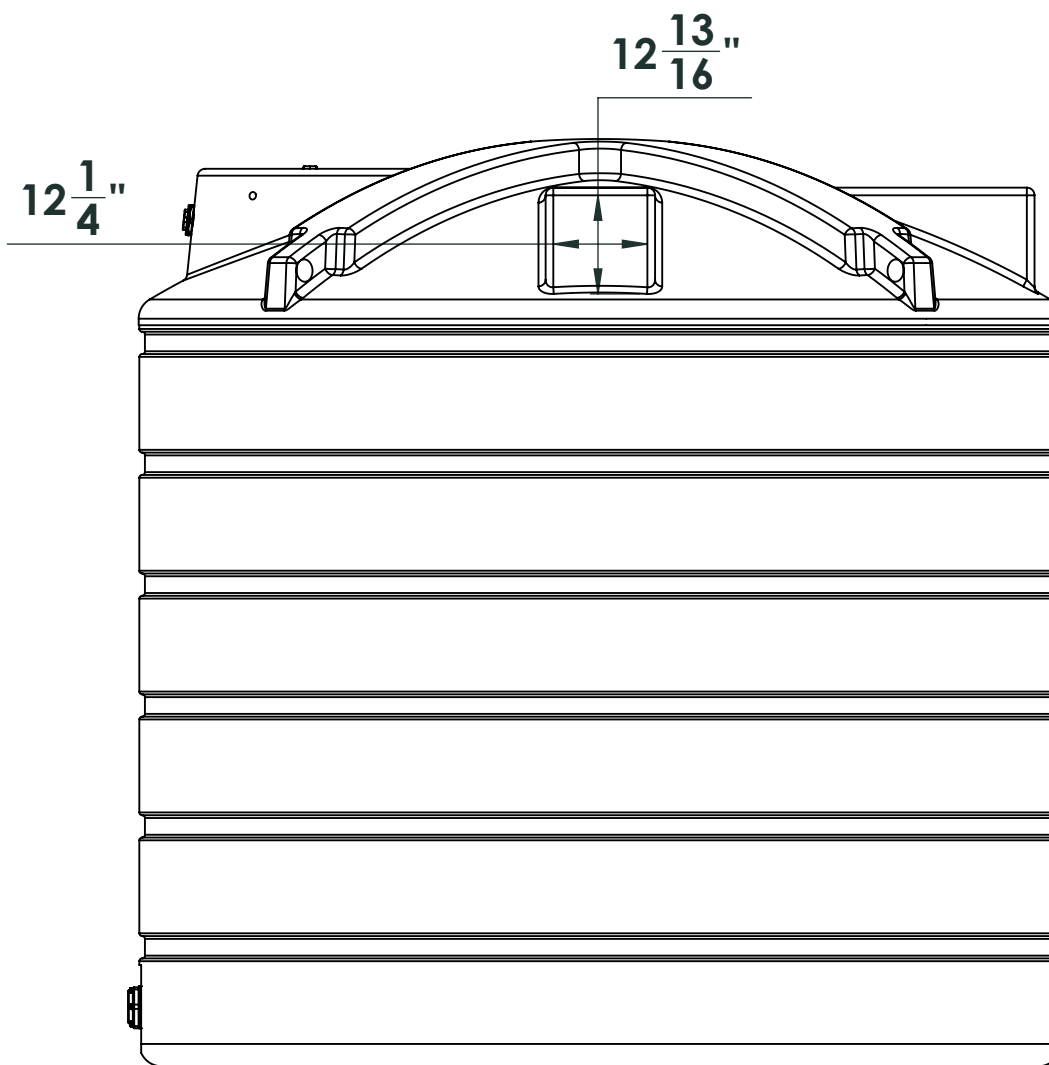
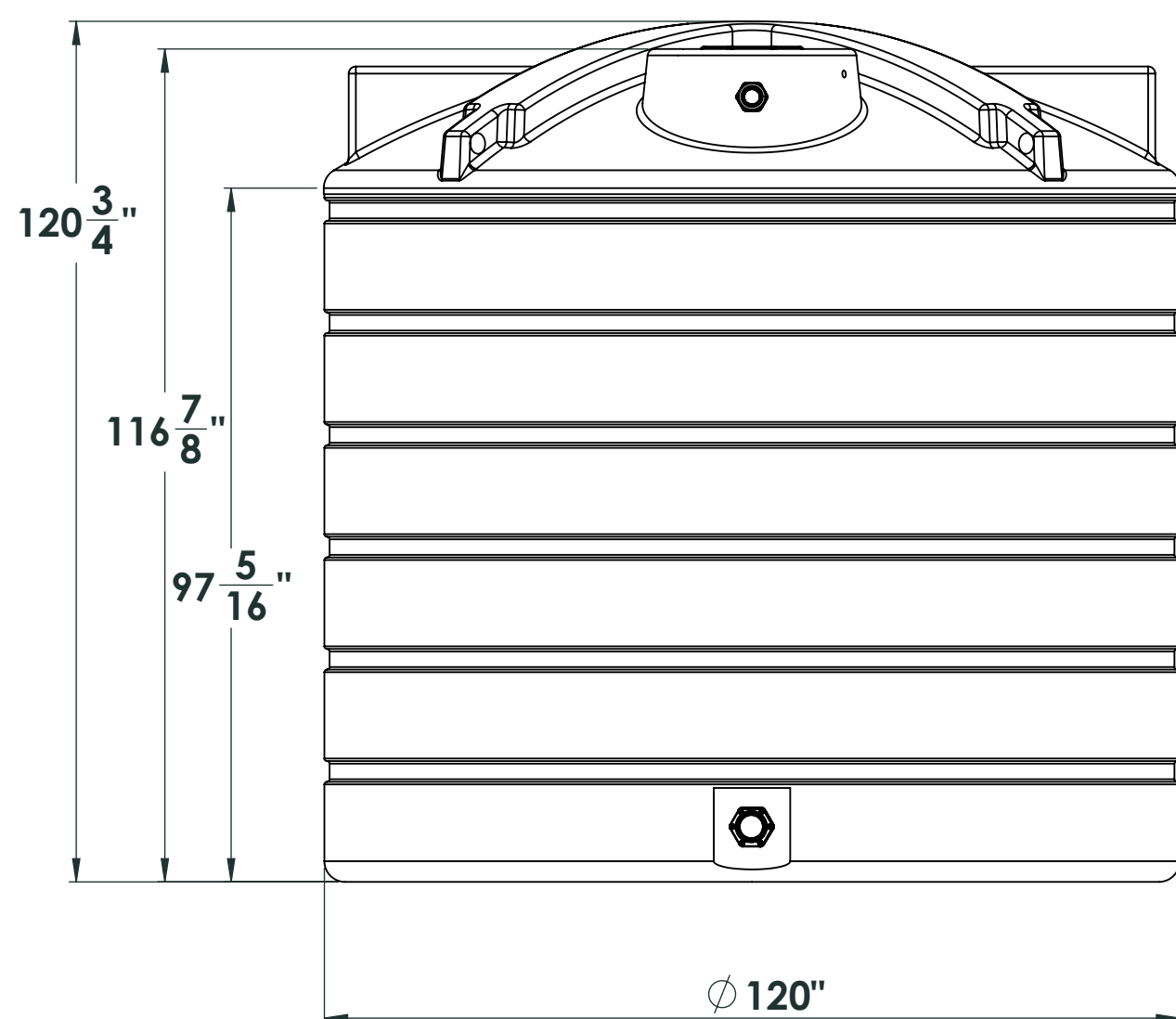
1



16 inch lid  
2 inch threaded fitting



3 inch bolted fitting



**NOTE: Allow +/- 1.5% Shrinkage**

**PROPRIETARY AND CONFIDENTIAL**  
THE INFORMATION CONTAINED IN THIS DRAWING IS THE SOLE PROPERTY OF ENDURAPLAS LLC. ANY REPRODUCTION IN PART OR AS A WHOLE WITHOUT THE WRITTEN PERMISSION OF ENDURAPLAS LLC IS PROHIBITED.

UNLESS OTHERWISE SPECIFIED:		DRAWN	NAME	DATE	ENDURAPLAS LLC
DIMENSIONS ARE IN INCHES		CHECKED	DNS	11/3/16	
TOLERANCES:		ENG APPR.			
FRACTIONAL ±		MFG APPR.			
ANGULAR: MACH ± BEND ±		Q.A.			TITLE:
TWO PLACE DECIMAL ±		COMMENTS:			TLV05050
THREE PLACE DECIMAL ±					SIZE DWG. NO. REV
INTERPRET GEOMETRIC TOLERANCING PER:					C 1
MATERIAL					SCALE: 1:50 WEIGHT: SHEET 1 OF 1
NEXT ASSY	USED ON	FINISH			
APPLICATION		DO NOT SCALE DRAWING			

4

3

2

1