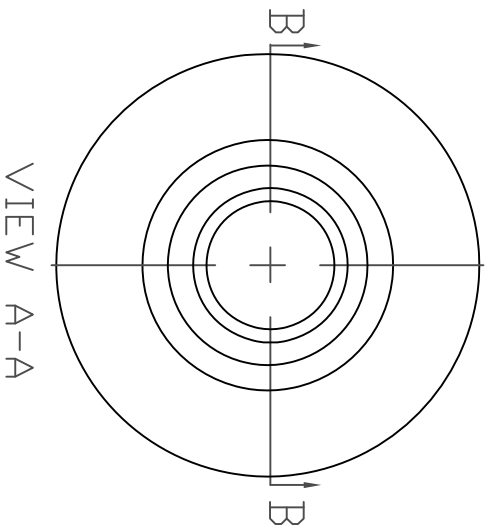
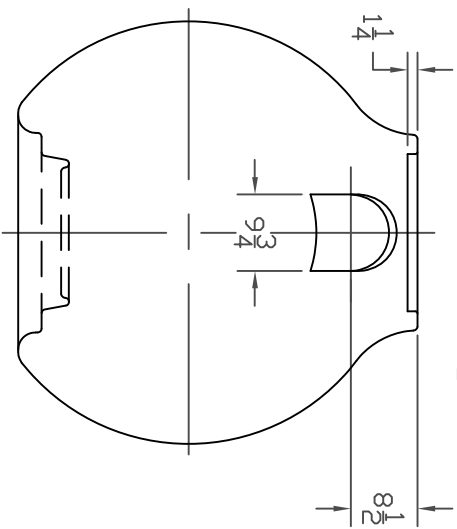
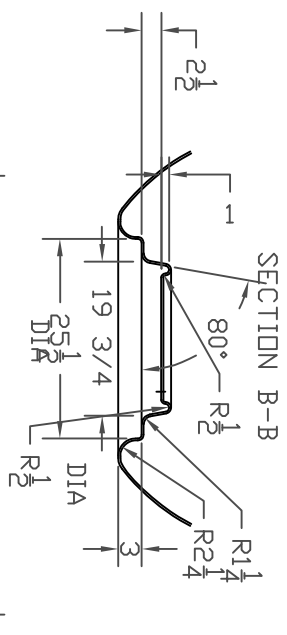
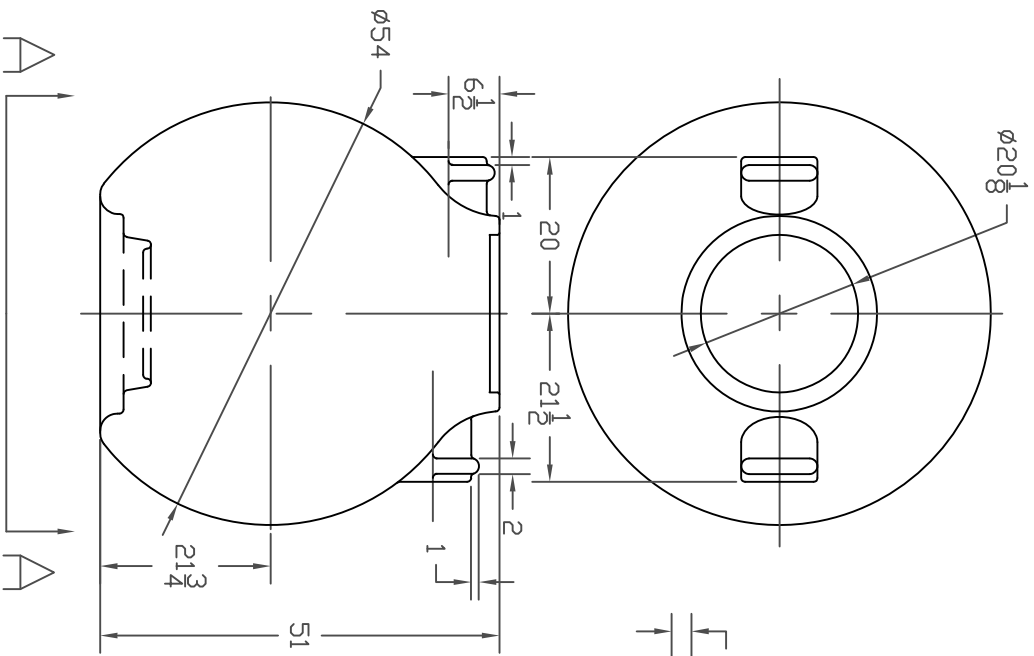


REVISIONS				
ZONE	REV	DESCRIPTION	DATE	APPROVED
	A	REMOVED INLET HUB	24MAY10	



**NORWESCO**  
 ST. BONIFACIUS, MN

300 GAL SPHERICAL PUMP  
 TANK W/ FLAT IN/OUT

JTP 13APR01

SCALE 1/16

SIZE FROM NO. DWG NO. 41319

SHEET

REV A