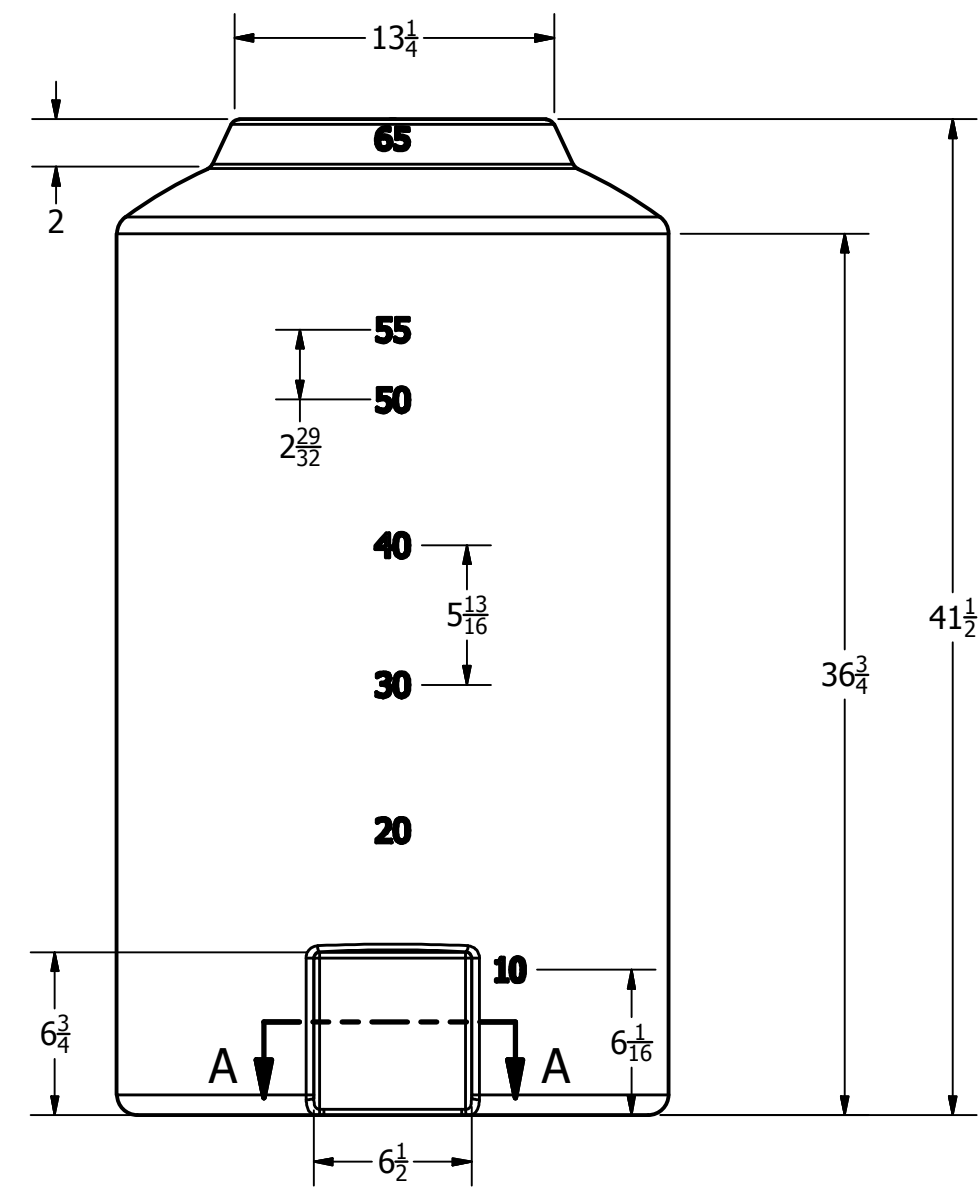
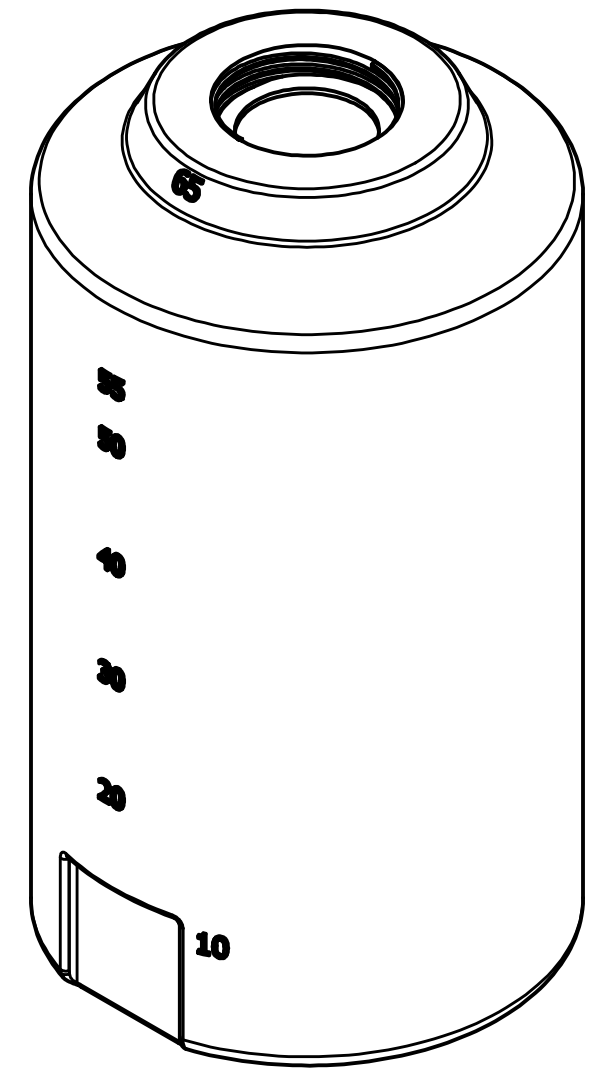



SECTION A-A
SCALE 1:4



REVISION HISTORY			
REV	DESCRIPTION	DATE	AUTHOR
A	REVISED & REDRAWN	8/31/1995	
B	REDRAWN	7/1/2013	Michael Holden
DRAWN Jerry Paulson		8/31/1995	 NORWESCO, INC. SAINT BONIFACIUS, MN TITLE 65 GALLON VERTICAL STORAGE TANK
CHECKED			
QA			
MFG			
APPROVED			
SIZE B		DWG NO	REV B
SCALE: 1/16		SHEET 1 OF 1	