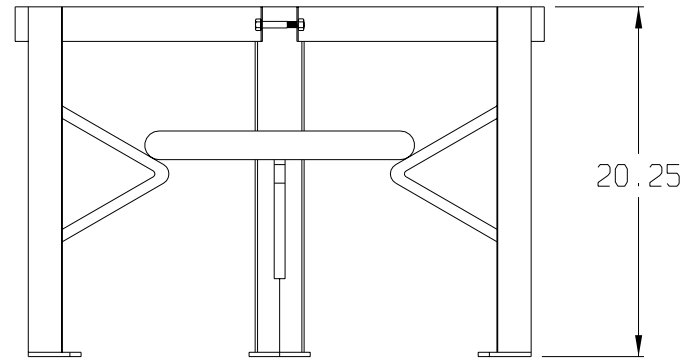
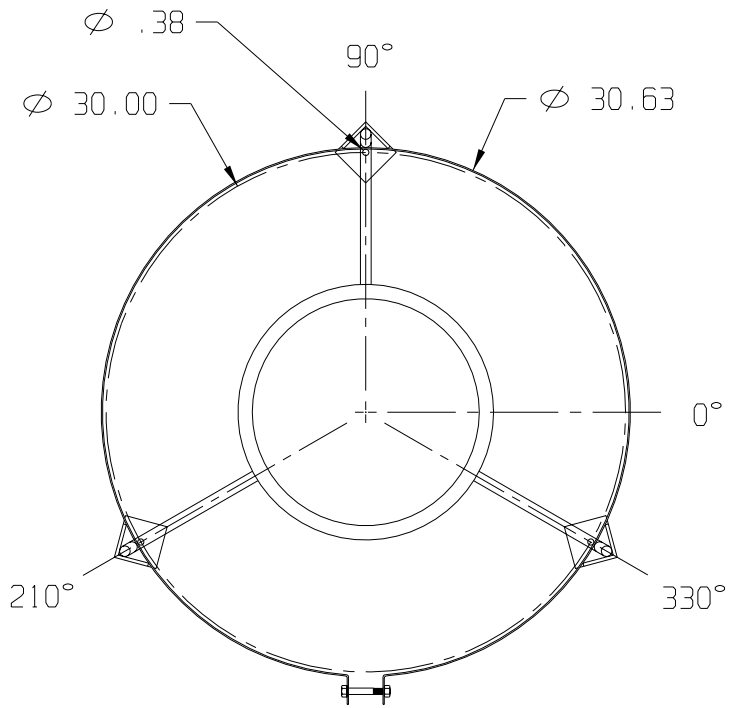


SNYDER INDUSTRIES INC.



(all dimensions in inches)

PART # STAND: 48600

REF#: 0000

05/05/95

35, 65, & 110 GALLON MIX STAND