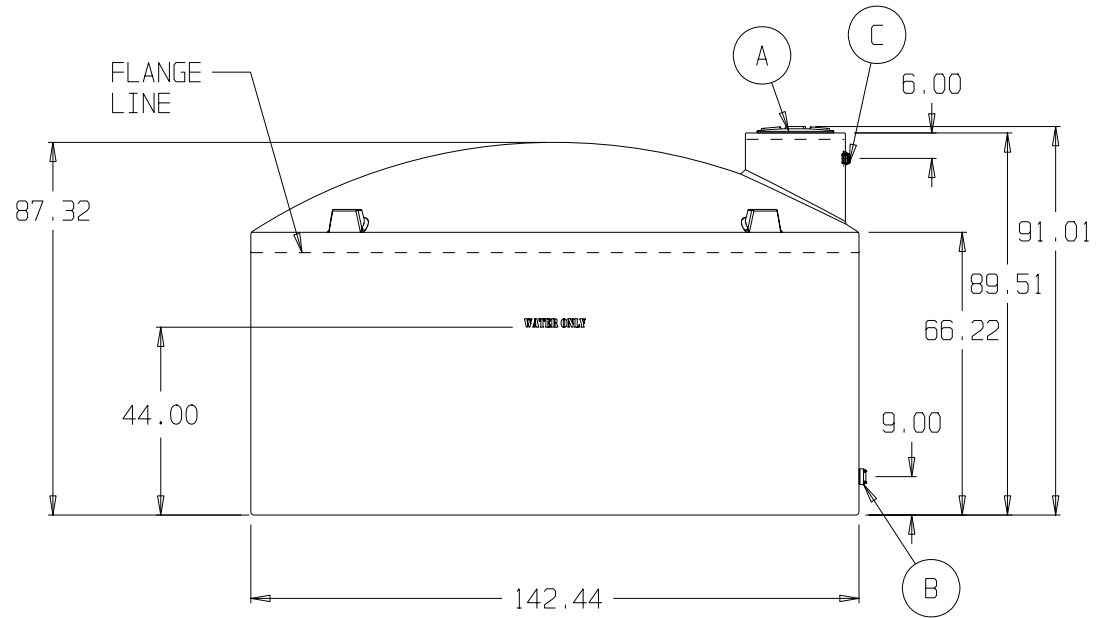
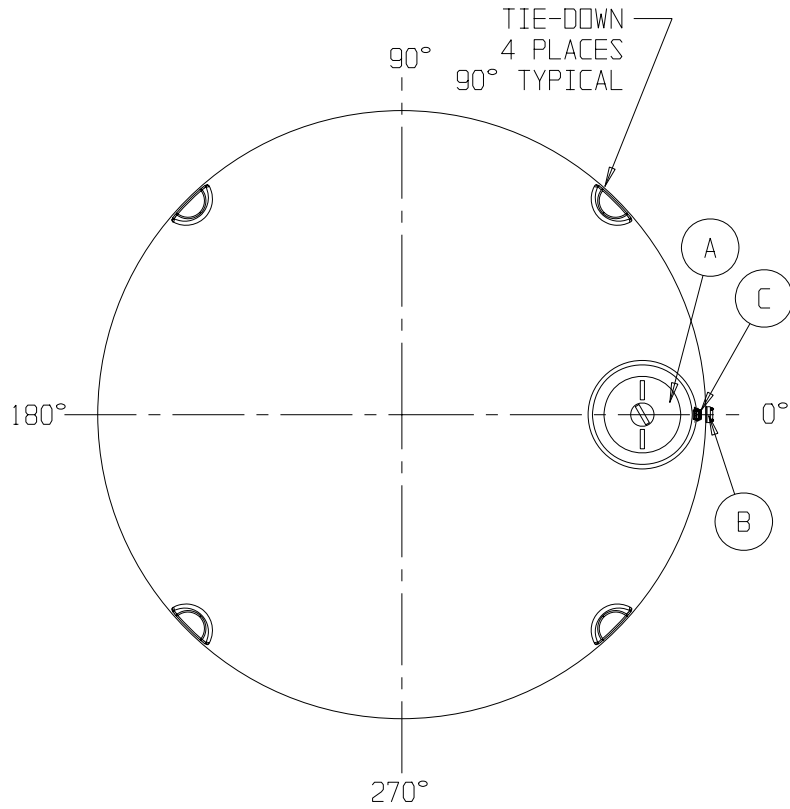


WATER

SNYDER INDUSTRIES INC.



- A. 18" PE THREADED-VENTED MANWAY W/15" ACCESS [P/N 34700087]
- B. 2" PP DBL FLANGED BOLTED FTG <BANJO #BF230> W/EPDM GASKETS & SS BOLTS [P/N 34100132]
- C. 1-1/2" PP T×T BH BANJO FTG W/EPDM GASKET [P/N 34100144]

\* BASE FITTINGS TO BE LEFT INSTALLED AT TIME OF SHIPMENT PER SII PROCEDURE  
 \* Consult Snyder's Guidelines for Use and Installation prior to delivery.  
 Available on-line at [www.snydernet.com](http://www.snydernet.com)

(all dimensions in inches)  
 PART # TANK: 7000200W94201 & 99802 (C)  
 HOLPE/BLK & GDD/WATER

5,000 GALLON BLACK & DARK OLIVE GREEN WATER TANK

REF#: 0000 09/23/08