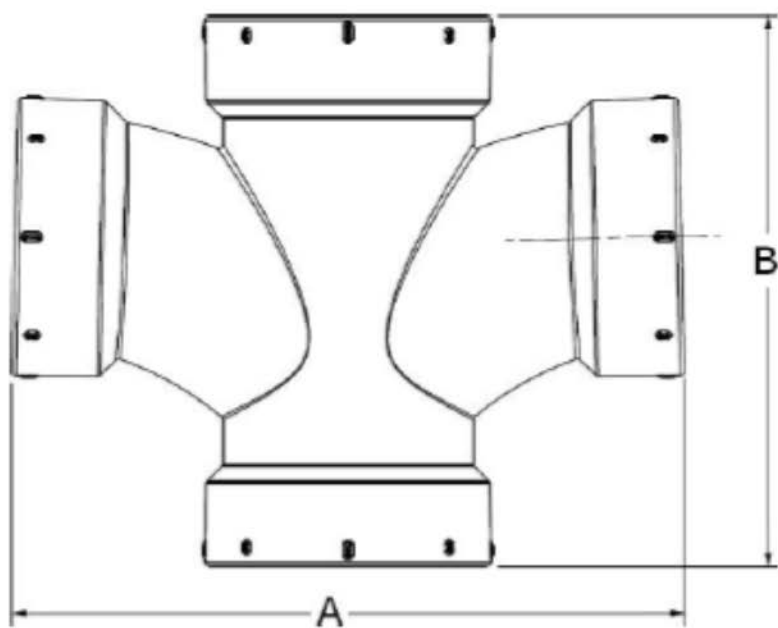


DOUBLE SANITARY TEE



INJECTION MOLDED FITTING

| <u>Part #</u> | <u>Size</u> | <u>A</u> | <u>B</u> |
|---------------|-------------|----------|----------|
| 428-3510 | 2 | 6.34 | 5.37 |
| 428-3511 | 3 | 8.94 | 7.81 |
| 428-3514 | 3 x 1 1/2 | 7.28 | 6.49 |
| 428-3516 | 3 x 2 | 11.75 | 9.31 |